

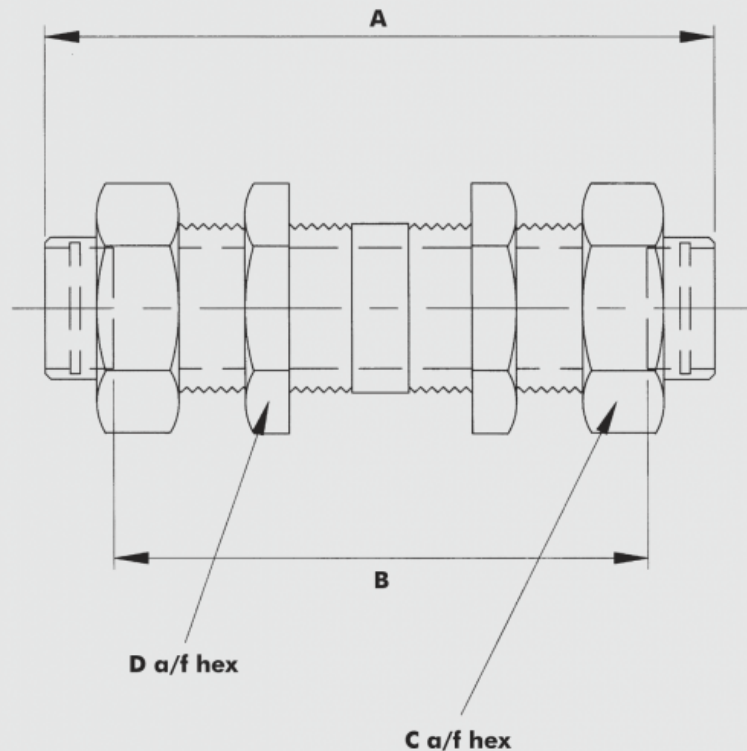
3/8 inch-2 1/2 inch General High Duty Deck or Bulkhead Straight Union Adaptors

STRAIGHT UNION CONNECTOR (Capillary x Capillary)

150 MHDPF






Round nose to cone joints.
Suitable for 25mm deck thickness.
Consisting of 1 x BSP Male Body, 2 x 68 MHDPF and 2 x BSP Female Locknuts.

All parts may be purchased separately.



SIZE (mm x BSP)	'A' (mm)	'B' (mm)	'C' (mm)	'D' (mm)	APPROX WEIGHT (gms)
12 x 1/2"	110	93	27	36	435
16 x 3/4"	112	93	32	41	580
20 x 1"	117	98	41	50	955
25 x 1.1/4"	125	103	48	60	1410
30 x 1.1/4"	125	101	48	60	1260
38 x 1.3/4"	132	102	60	72	1900
44.5 x 2"	134	102	66	79	2215
57 x 2.1/2"	144	108	85	94	3480

$\frac{3}{8}$ inch - $2\frac{1}{2}$ inch General High Duty Deck or Bulkhead Straight Union Connectors

Description	Product Code	
<p>$\frac{3}{8}$ inch General High Duty Deck or Bulkhead Straight Union Connectors</p>	<p>150GHD-$\frac{3}{8}$</p>	
<p>$\frac{1}{4}$ inch General High Duty Deck or Bulkhead Straight Union Connectors</p>	<p>150GHD-$\frac{1}{4}$</p>	
<p>$\frac{1}{2}$ inch General High Duty Deck or Bulkhead Straight Union Connectors</p>	<p>150GHD-$\frac{1}{2}$</p>	
<p>$\frac{3}{4}$ inch General High Duty Deck or Bulkhead Straight Union Connectors</p>	<p>150GHD-$\frac{3}{4}$</p>	
<p>1 inch General High Duty Deck or Bulkhead Straight Union Connectors</p>	<p>150GHD-1</p>	

Description	Product Code	
1 $\frac{1}{4}$ inch General High Duty Deck or Bulkhead Straight Union Connectors	150GHD-1 $\frac{1}{4}$	
1 $\frac{1}{2}$ inch General High Duty Deck or Bulkhead Straight Union Connectors	150GHD-1 $\frac{1}{2}$	
1 $\frac{3}{4}$ inch General High Duty Deck or Bulkhead Straight Union Connectors	150GHD-1 $\frac{3}{4}$	
2 inch General High Duty Deck or Bulkhead Straight Union Connectors	150GHD-2	
2 $\frac{1}{2}$ inch General High Duty Deck or Bulkhead Straight Union Connectors	150GHD-2 $\frac{1}{2}$	

$\frac{3}{8}$ inch - 2 $\frac{1}{2}$ inch General High Duty Deck or Bulkhead Straight Union Connectors available from Alexander Brown Plumbing Fittings Specialists Ltd.

Images above are for illustration purposes only.

For the latest prices contact us on 0141
558 8821

Alexander Brown Plumbing Fittings
Specialists recommend UK Manufactured
copper Tube for use with all our General
High Duty Fittings



For Compression fittings in 67mm, 76mm
and 108mm, Imperial 3 inch and 4 inch
visit our ABCO Large Size
Compression Fittings page